

/iLYNX TRAIL CARBON PRO 8.9

EC 892

BH

 COLORES DISPONIBLES B Y Y  N N N  O R R  R W W  W B B 

TALLAS SM /MD /LA /XL /

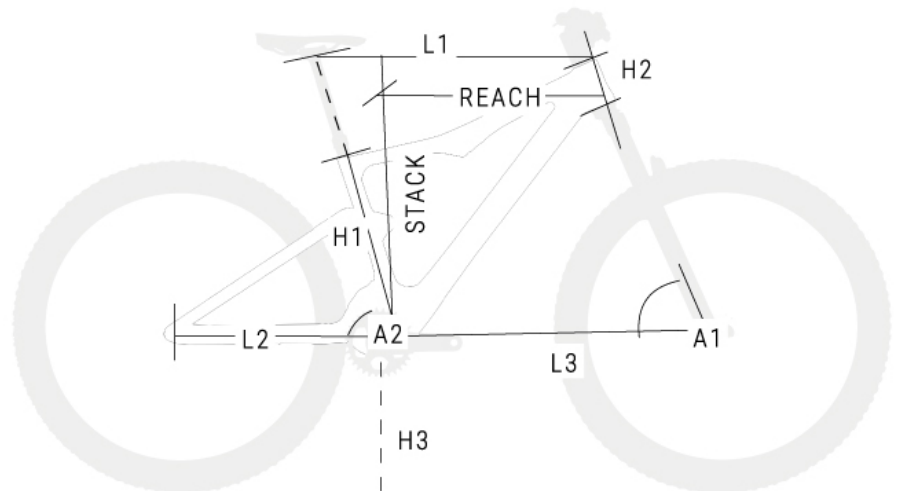


FRAME	150mm Full Susp. Carbon29" Internal Cable Routing, Acros ICR	REAR SHOCK	FOX FLOAT X Factory	FORK	FOX 36 FLOAT Factory 150mm 15QR
STEM	BH Evo 35 Fit	HEADSET	Acros AIF-543 ICR BL.	SHIFT LEVERS	Shimano XTR
REAR DERAILLEUR	Shimano XTR 12sp	CRANK SET	FSA Carbon 34T SB-165mm	CASSETE	Shimano CSM9100 12sp (10-51T)
CHAIN	Shimano CNM9100	FRONT BRAKE	Shimano XT 4 Piston 203mm	REAR BRAKE	Shimano XT 4 Piston 203mm
WHEELSET	Race Face Turbine 30 TR	TIRES	Maxxis Minion TPI120 Terra EXO TR 29"x2,5/2,4	HUBS	Race Face
SPOKES	Stainless Steel	SADDLE	Prologo Proxim W450 Stn	SEAT CLAMP	Alloy
SEATPOST	Fox transfer Factory 31,6	HANDLEBAR	Race Face Aeffect Riser 35 780mm	GRIPS	Ergon GE1-Factory
CHAINSTAY PROTECTOR	Integrated	SPEED	*	UPGRADE KIT (NOT INCLUDED) MOTOR	FIT Light cable
SYSTEM	NR System	BATTERY	720Wh		BH 2EXMAGII
RANGE	Up to 175 Km	DISPLAY	BH i-Remote		



iLYNX TRAIL CARBON PRO 8.9

EC892



	Stack	Reach	h ₁	h ₂	h ₃	l ₁	l ₂	l ₃	a ₁	a ₂	l ₄	Total
SM	601	430	420	95	339	570	451		66	75,5		
MD	605	455	430	100	339	596	451		66	75,5		
LA	615	475	440	110	339	619	451		66	75,5		
XL	628	490	490	125	339	639	451		66	75,5		

FRAME

150mm Full Susp.
Carbon29" Internal Cable Routing, Acros ICR

REAR SHOCK

FOX FLOAT X Factory

FORK

FOX 36 FLOAT Factory
150mm 15QR

STEM

BH Evo 35 Fit

HEADSET

Acros AIF-543 ICR BL.

SHIFT LEVERS

Shimano XTR

REAR DERAILLEUR

Shimano XTR 12sp

CRANK SET

FSA Carbon 34T SB-165mm

CASSETE

Shimano CSM9100 12sp
(10-51T)

CHAIN

Shimano CNM9100

FRONT BRAKE

Shimano XT 4 Piston
203mm

REAR BRAKE

Shimano XT 4 Piston
203mm

WHEELSET

Race Face Turbine 30 TR

TIRES

Maxxis Minion TPI120 Terra
EXO TR 29"x2,5/2,4

HUBS

Race Face

SPOKES

Stainless Steel

SADDLE

Prologo Proxim W450 Stn

SEAT CLAMP

Alloy

SEATPOST

Fox transfer Factory 31,6

HANDLEBAR

Race Face Aeffect Riser 35
780mm

GRIPS

Ergon GE1-Factory

CHAINSTAY PROTECTOR

Integrated

SPEED

*

UPGRADE KIT (NOT INCLUDED) SYSTEM

FIT
Light cable

NR System

BATTERY

720Wh

MOTOR

BH 2EXMAGII

RANGE

Up to 175 Km

COLORES DISPONIBLES



TALLAS SM / MD / LA / XL /

/9.099,90 €

DISPLAY

BH i-Remote