

# /iLYNX TRAIL 8.2

EC 823

**BH**

 COLORES DISPONIBLES   R R R     N C C 

TALLAS   SM /MD /LA /XL /



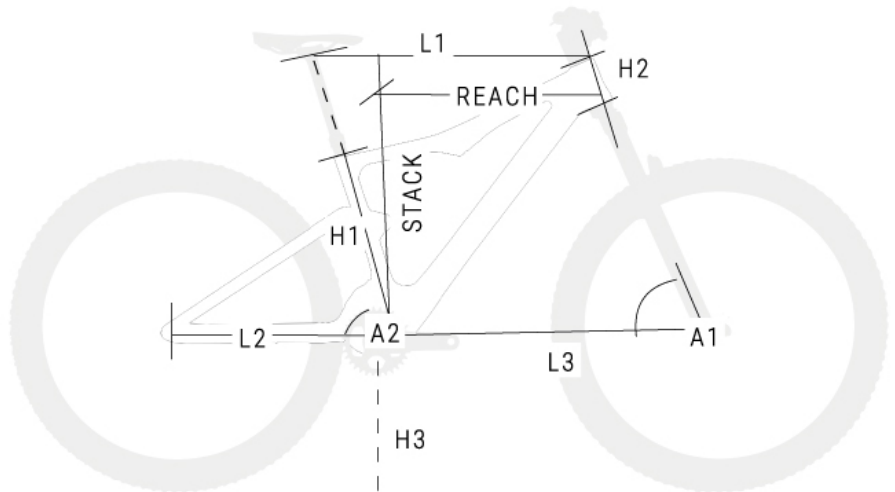
<b>FRAME</b>	150 mm Full Suspension Alloy 29" internal cable routing	<b>REAR SHOCK</b>	FOX FLOAT DPS Performance	<b>FORK</b>	FOX 36 FLOAT Performance 150mm 15QR
<b>STEM</b>	BH Evo 35 Fit	<b>HEADSET</b>	Acros AZX-581 BL.	<b>SHIFT LEVERS</b>	Shimano Deore
<b>REAR DERAILEUR</b>	Shimano XT 12sp	<b>FRONT DERAILEUR</b>		<b>CRANK SET</b>	FSA 34T -165mm
<b>BB SET</b>		<b>CASSETTE</b>	Shimano CSM6100 12sp (10-51T)	<b>CHAIN</b>	Shimano CNM6100
<b>FRONT BRAKE</b>	Sram DB8 4 Piston 200mm	<b>REAR BRAKE</b>	Sram DB8 4 Piston 200mm	<b>WHEELSET</b>	Race Face Aeffect 30 TR
<b>TIRES</b>	Maxxis Minion TP1120 Terra EXO TR 29"X2,5/2,4	<b>INNER TUBES</b>		<b>RIMS</b>	
<b>HUBS</b>	Race Face	<b>SPOKES</b>	Stainless Steel	<b>SADDLE</b>	Prologo Proxim W450 Stn
<b>SEAT CLAMP</b>	Alloy	<b>SEATPOST</b>	Race Face DP Aeffect 31,6	<b>HANDLEBAR</b>	Race Face Aeffect Riser 35 780mm
<b>GRIPS</b>	Ergon GE10	<b>PEDALS</b>		<b>WEIGHT</b>	
<b>FRONT LIGHT</b>		<b>REAR LIGHT</b>		<b>REAR REFLECTOR</b>	
<b>ELASTIC STRAP</b>		<b>CHAINCASE</b>		<b>GUARD</b>	



- FRAME** 150 mm Full Suspension Alloy 29" internal cable routing
- REAR SHOCK** FOX FLOAT DPS Performance
- FORK** FOX 36 FLOAT Performance 150mm 15QR
- STEM** BH Evo 35 Fit
- HEADSET** Acros AZX-581 BL.
- SHIFT LEVERS** Shimano Deore
- REAR DERAILLEUR** Shimano XT 12sp
- FRONT DERAILLEUR**
- CRANK SET** FSA 34T -165mm
- BB SET**
- CASSETE** Shimano CSM6100 12sp (10-51T)
- CHAIN** Shimano CNM6100
- FRONT BRAKE** Sram DB8 4 Piston 200mm
- REAR BRAKE** Sram DB8 4 Piston 200mm
- WHEELSET** Race Face Aeffect 30 TR
- TIRES** Maxxis Minion TPI120 Terra EXO TR 29"X2,5/2,4
- INNER TUBES**
- RIMS**
- HUBS** Race Face
- SPOKES** Stainless Steel
- SADDLE** Prologo Proxim W450 Stn
- SEAT CLAMP** Alloy
- SEATPOST** Race Face DP Aeffect 31,6
- HANDLEBAR** Race Face Aeffect Riser 35 780mm
- GRIPS** Ergon GE10
- PEDALS**
- WEIGHT**
- FRONT LIGHT**

**CARRIER**  
**BELL**  
**PROGRAMMEABLE (NOT INCLUDED) BATTERY** E C 8 2 3 540Wh  
**DISPLAY** BH i-Remote  
**KICKSTAND**  
**LOCK**  
**WHEEL REFLECTOR**  
**MOTOR** BH 2EXMAG II

# ILYNX TRAIL 8.2



	Stack	Reach	h <sub>1</sub>	h <sub>2</sub>	h <sub>3</sub>	l <sub>1</sub>	l <sub>2</sub>	l <sub>3</sub>	a <sub>1</sub>	a <sub>2</sub>	l <sub>4</sub>	Total
<b>SM</b>	601	430	420	95	339	570	451		66	75,5		
<b>MD</b>	605	455	430	100	339	596	451		66	75,5		
<b>LA</b>	615	475	440	110	339	619	451		66	75,5		
<b>XL</b>	628	490	490	125	339	639	451		66	75,5		

COLORES DISPONIBLES R R R GGG N C C

TALLAS SM /MD /LA /XL /

**/6.199,90 €**

**REAR LIGHT****REAR REFLECTOR****ELASTIC STRAP****CHAINCASE****GUARD****FENDERS****CARRIER****KICKSTAND****CHAINSTAY PROTECTOR**

Integrated

**BELL****LOCK****BASKET****UPGRADE KIT (NOT INCLUDED) WHEEL REFLECTOR****SYSTEM**

NR System

**BATTERY**

540Wh

**MOTOR**

BH 2EXMAG II

**RANGE**

Up to 130 Km

**DISPLAY**

BH i-Remote