

/iLYNX TRAIL 8.1

EC813

BH


COLORES DISPONIBLES



GGG

NCC



TALLAS SM /MD /LA /XL /



| | | | | | |
|-----------------------|--|------------------------|---------------------------------|-----------------------|-------------------------------------|
| FRAME | 140 mm Full Suspension Alloy 29" internal cable routing | REAR SHOCK | FOX FLOAT DPS Performance | FORK | FOX 34 FLOAT Rhythm 140mm 15QR |
| STEM | BH Evo 35 Fit | HEADSET | Acros AZX-581 BL. | SHIFT LEVERS | Shimano Deore |
| REAR DERAILEUR | Shimano XT 12sp | FRONT DERAILEUR | | CRANK SET | FSA 34T -165mm |
| BB SET | | CASSETTE | Shimano CSM6100 12sp (10-51T) | CHAIN | Shimano CNM6100 |
| FRONT BRAKE | Shimano MT420 4 Piston 203mm | REAR BRAKE | Shimano MT420 4 Piston 203mm | WHEELSET | Race Face Ar 30 TR |
| TIRES | Maxxis Minion TPI120 Terra EXO TR 29"X2,5/2,4 | INNER TUBES | | RIMS | |
| HUBS | BH | SPOKES | Stainless Steel | SADDLE | Prologo Proxim W350 Stn |
| SEAT CLAMP | Alloy | SEATPOST | Race Face DP Aeffect 31,6 | HANDLEBAR | Race Face Aeffect Riser 35 780mm |
| GRIPS | Ergon GE10 | PEDALS | | WEIGHT | |
| FRONT LIGHT | | REAR LIGHT | | REAR REFLECTOR | |
| ELASTIC STRAP | | CHAINCASE | | GUARD | |



- FRAME** 140 mm Full Suspension Alloy 29" internal cable routing
- REAR SHOCK** FOX FLOAT DPS Performance
- FORK** FOX 34 FLOAT Rhythm 140mm 15QR
- STEM** BH Evo 35 Fit
- HEADSET** Acros AZX-581 BL.
- SHIFT LEVERS** Shimano Deore
- REAR DERAILLEUR** Shimano XT 12sp
- FRONT DERAILLEUR**
- CRANK SET** FSA 34T -165mm
- BB SET**
- CASSETE** Shimano CSM6100 12sp (10-51T)
- CHAIN** Shimano CNM6100
- FRONT BRAKE** Shimano MT420 4 Piston 203mm
- REAR BRAKE** Shimano MT420 4 Piston 203mm
- WHEELSET** Race Face Ar 30 TR
- TIRES** Maxxis Minion TPI120 Terra EXO TR 29"X2,5/2,4
- INNER TUBES**
- RIMS**
- HUBS** BH
- SPOKES** Stainless Steel
- SADDLE** Prologo Proxim W350 Stn
- SEAT CLAMP** Alloy
- SEATPOST** Race Face DP Aeffect 31,6
- HANDLEBAR** Race Face Aeffect Riser 35 780mm
- GRIPS** Ergon GE10
- PEDALS**
- WEIGHT**
- FRONT LIGHT**

CARRIER

KICKSTAND

BELL

LOCK

UPGRADE KIT NOT INCLUDED) BATTERY

EC 813 540Wh

WHEEL REFLECTOR

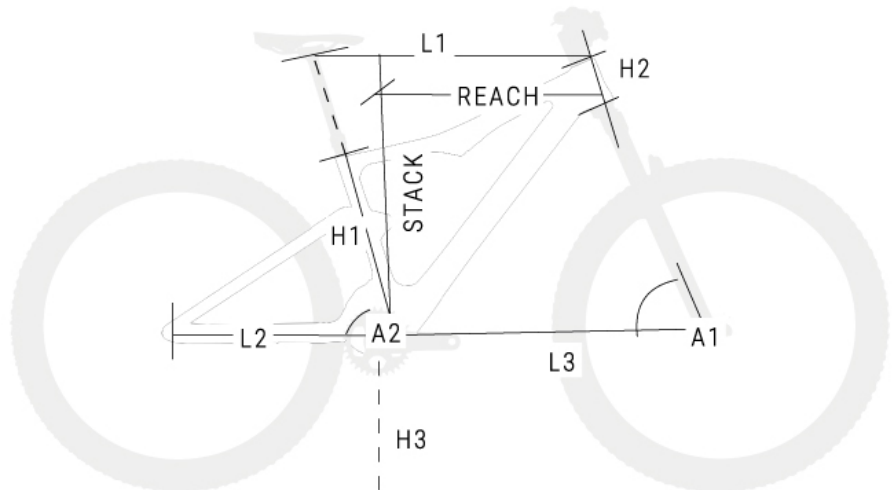
MOTOR

BH 2EXMAG II

DISPLAY

BH i-Remote

LYNX TRAIL 8.1



| | Stack | Reach | h ₁ | h ₂ | h ₃ | l ₁ | l ₂ | l ₃ | a ₁ | a ₂ | l ₄ | Total |
|----|-------|-------|----------------|----------------|----------------|----------------|----------------|----------------|----------------|----------------|----------------|-------|
| SM | 601 | 430 | 420 | 95 | 339 | 570 | 451 | | 66 | 75,5 | | |
| MD | 605 | 455 | 430 | 100 | 339 | 596 | 451 | | 66 | 75,5 | | |
| LA | 615 | 475 | 440 | 110 | 339 | 619 | 451 | | 66 | 75,5 | | |
| XL | 628 | 490 | 490 | 125 | 339 | 639 | 451 | | 66 | 75,5 | | |

COLORES DISPONIBLES



TALLAS SM /MD /LA /XL /

/5.699,90 €

REAR LIGHT**REAR REFLECTOR****ELASTIC STRAP****CHAINCASE****GUARD****FENDERS****CARRIER****KICKSTAND****CHAINSTAY PROTECTOR**

Integrated

BELL**LOCK****BASKET****UPGRADE KIT (NOT INCLUDED) WHEEL REFLECTOR****SYSTEM**

NR System

BATTERY

540Wh

MOTOR

BH 2EXMAG II

RANGE

Up to 130 Km

DISPLAY

BH i-Remote