

/iLYNX TRAIL 8.0

EC 803

BH

 COLORES DISPONIBLES R R R  G G G  N C C 

TALLAS SM /MD /LA /XL /



FRAME	140 mm Full Suspension Alloy 29" internal cable routing	REAR SHOCK	Rock Shox Deluxe Debonair	FORK	Rock Shox Recon RL 140mm 15QR
STEM	BH Evo 35 Fit	HEADSET	Acros AZX-581 BL.	SHIFT LEVERS	Shimano Deore
REAR DERAILEUR	Shimano Deore 11sp	FRONT DERAILEUR		CRANK SET	FSA 34T -165mm
BB SET		CASSETTE	Shimano CSM5100 11sp (11-51T)	CHAIN	Shimano HG60
FRONT BRAKE	Shimano MT420 4 Piston 203mm	REAR BRAKE	Shimano MT420 4 Piston 203mm	WHEELSET	Race Face Ar 30 TR
TIRES	Maxxis Minion TP1120 Terra EXO TR 29"X2,5/2,4	INNER TUBES		RIMS	
HUBS	BH	SPOKES	Stainless Steel	SADDLE	Prologo Proxim W350 Stn
SEAT CLAMP	Alloy	SEATPOST	Race Face DP Aeffect 31,6	HANDLEBAR	Race Face Aeffect Riser 35 780mm
GRIPS	Ergon GE10	PEDALS		WEIGHT	
FRONT LIGHT		REAR LIGHT		REAR REFLECTOR	
ELASTIC STRAP		CHAINCASE		GUARD	



- FRAME** 140 mm Full Suspension Alloy 29" internal cable routing
- REAR SHOCK** Rock Shox Deluxe Debonair
- FORK** Rock Shox Recon RL 140mm 15QR
- STEM** BH Evo 35 Fit
- HEADSET** Acros AZX-581 BL.
- SHIFT LEVERS** Shimano Deore
- REAR DERAILLEUR** Shimano Deore 11sp
- FRONT DERAILLEUR**
- CRANK SET** FSA 34T -165mm
- BB SET**
- CASSETTE** Shimano CSM5100 11sp (11-51T)
- CHAIN** Shimano HG60
- FRONT BRAKE** Shimano MT420 4 Piston 203mm
- REAR BRAKE** Shimano MT420 4 Piston 203mm
- WHEELSET** Race Face Ar 30 TR
- TIRES** Maxxis Minion TPI120 Terra EXO TR 29"X2,5/2,4
- INNER TUBES**
- RIMS**
- HUBS** BH
- SPOKES** Stainless Steel
- SADDLE** Prologo Proxim W350 Stn
- SEAT CLAMP** Alloy
- SEATPOST** Race Face DP Aeffect 31,6
- HANDLEBAR** Race Face Aeffect Riser 35 780mm
- GRIPS** Ergon GE10
- PEDALS**
- WEIGHT**
- FRONT LIGHT**

CARRIER

KICKSTAND

BELL

LOCK

UPGRADE KIT NOT INCLUDED) BATTERY EC 803 540Wh

WHEEL REFLECTOR

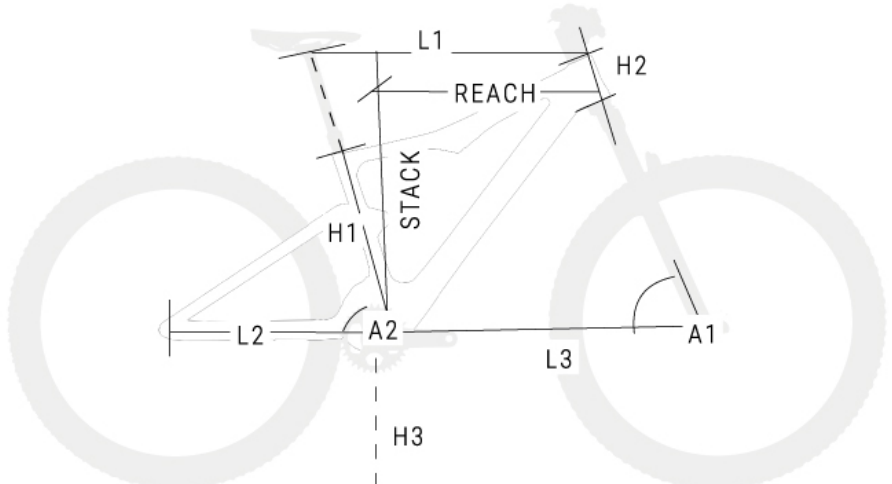
MOTOR

BH 2EXMAG II

DISPLAY

BH i-Remote

ILYNX TRAIL 8.0



	Stack	Reach	h ₁	h ₂	h ₃	l ₁	l ₂	l ₃	a ₁	a ₂	l ₄	Total
SM	601	430	420	95	339	570	451		66	75,5		
MD	605	455	430	100	339	596	451		66	75,5		
LA	615	475	440	110	339	619	451		66	75,5		
XL	628	490	490	125	339	639	451		66	75,5		

COLORES DISPONIBLES R R R GGG N C C

TALLAS SM /MD /LA /XL /

/5.099,90 €

REAR LIGHT**REAR REFLECTOR****ELASTIC STRAP****CHAINCASE****GUARD****FENDERS****CARRIER****KICKSTAND****CHAINSTAY PROTECTOR**

Integrated

BELL**LOCK****BASKET****UPGRADE KIT (NOT INCLUDED) WHEEL REFLECTOR****SYSTEM**

NR System

BATTERY

540Wh

MOTOR

BH 2EXMAG II

RANGE

Up to 130 Km

DISPLAY

BH i-Remote